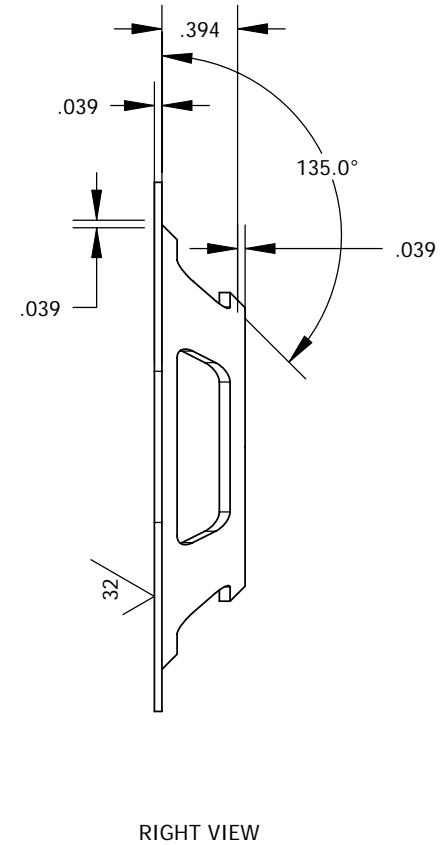
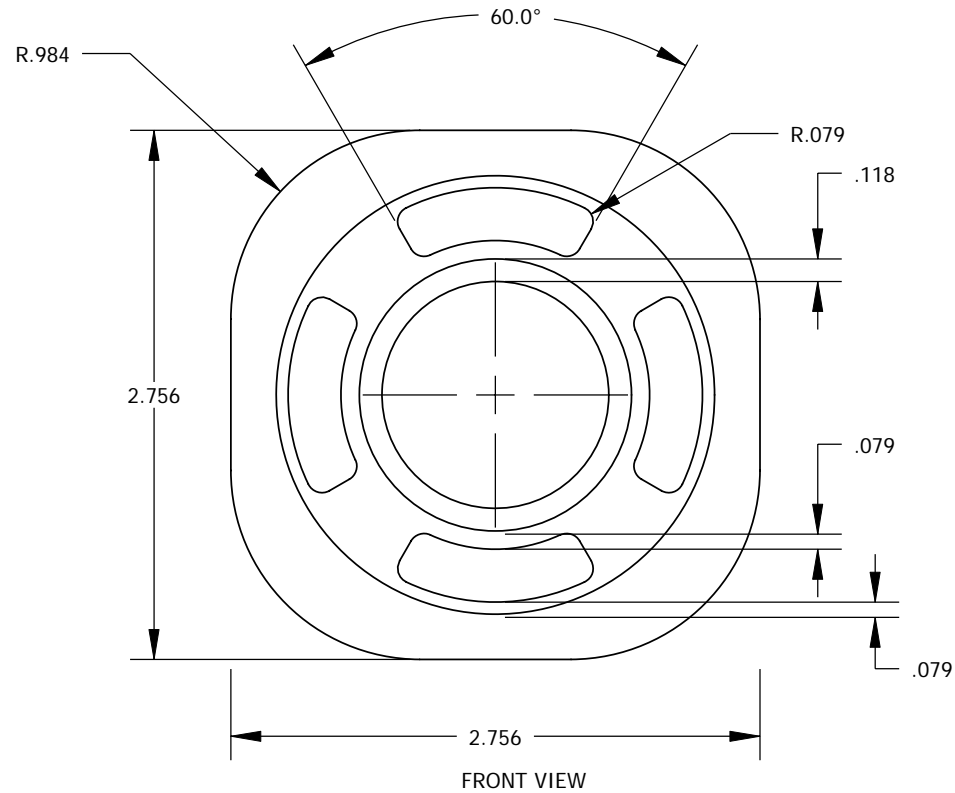


REVISION	DESCRIPTION	DATE
A	INITIAL RELEASE	8/3/2007

NOTES:

- 1) REMOVE BURRS AND BREAK SHARP EDGES.
- 2) DO NOT SCALE DRAWING.
- 3) ALL DIMENSIONS TO INCHES UNLESS OTHERWISE SPECIFIED.



TOLERANCES:	
X.X	±0.050
X.XX	±0.010
X.XXX	±0.005
X°	±0.5°

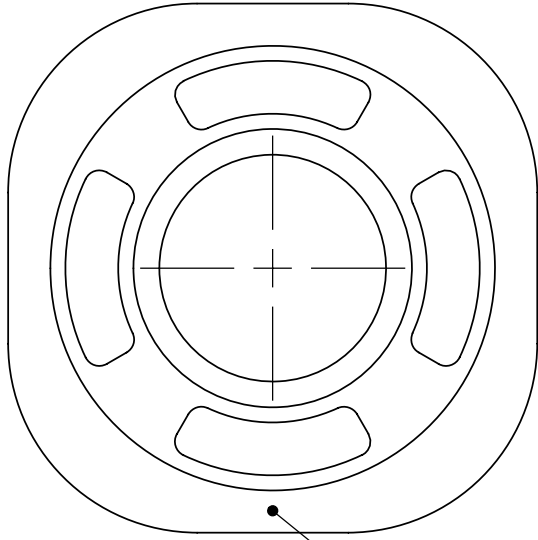
MATERIAL:	
AL 6061 PER FAB SPEC 004, PRESS FORM	
FINISH:	
CLEAR ANODIZE PER FAB SPEC 004 EXCEPT AS NOTED	

TITLE:					PART NUMBER:	
SPEAKER FRAME, GLUEABLE					123456783	
REVISION:	SHEET:	UNITS:	SCALE:	SIZE:	FILE NAME:	
A	1 OF 2	INCHES	1:1	A	123456783	



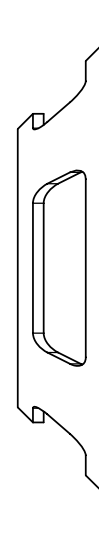
PROPRIETARY AND CONFIDENTIAL

THE INFORMATION CONTAINED IN THIS DRAWING IS THE SOLE PROPERTY OF SAMPLE COMPANY. ANY REPRODUCTION IN PART OR AS A WHOLE WITHOUT WRITTEN PERMISSION IS PROHIBITED.



BACK VIEW

ETCH P/N & LOT NUMBER



LEFT VIEW

TITLE: SPEAKER FRAME, GLUEABLE	PART NUMBER: 123456783	REVISION: A	SHEET: 2 OF 2	UNITS: INCHES	SCALE: 1:1	SIZE: A	FILE NAME: 123456783
-----------------------------------	---------------------------	----------------	------------------	------------------	---------------	------------	-------------------------

**PROPRIETARY AND CONFIDENTIAL**

THE INFORMATION CONTAINED IN THIS DRAWING IS THE SOLE PROPERTY OF SAMPLE COMPANY. ANY REPRODUCTION IN PART OR AS A WHOLE WITHOUT WRITTEN PERMISSION IS PROHIBITED.

5

4

3

2

1