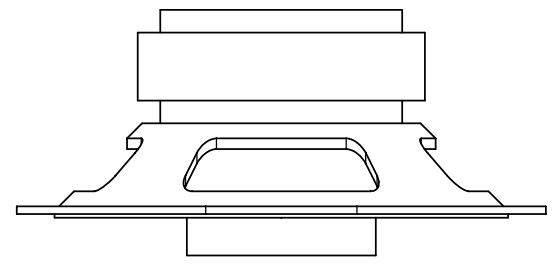


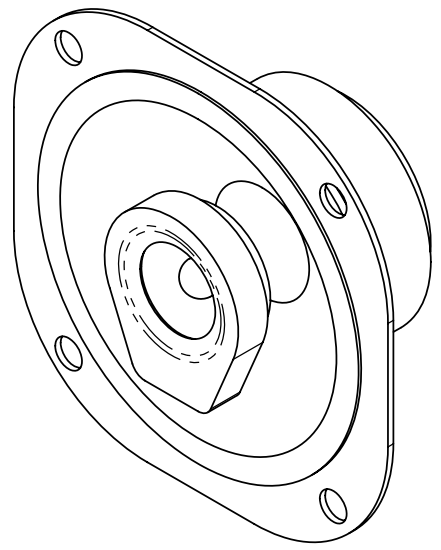
8 7 6 5 4 3 2 1

NOTES:  
 1) DO NOT SCALE DRAWING.  
 2) ALL DIMENSIONS TO INCHES UNLESS OTHERWISE SPECIFIED.

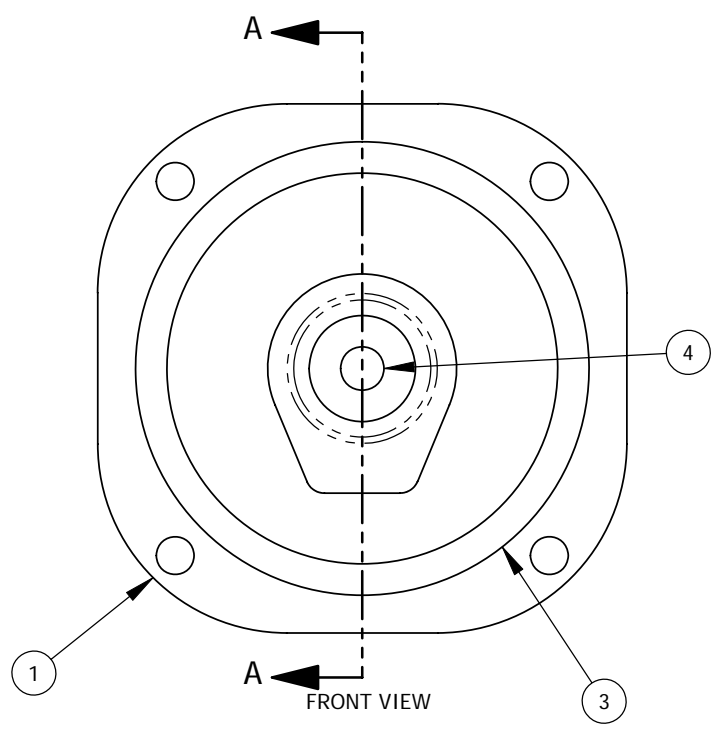
REVISION	DESCRIPTION	DATE
A	INITIAL RELEASE	8/3/2007



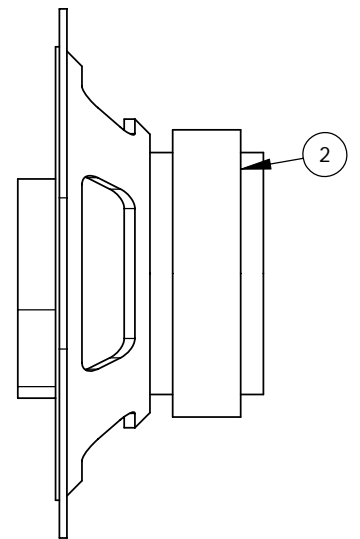
TOP VIEW



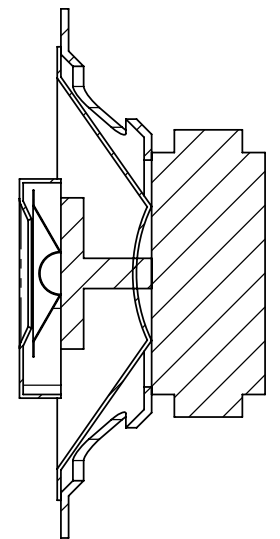
ISOMETRIC VIEW



FRONT VIEW



RIGHT VIEW



SECTION A-A

ITEM NO.	Part Number	DESCRIPTION	123456788/QTY.	123456785/QTY.	123456786/QTY.	123456789/QTY.
1		SPEAKER FRAME, GLUEABLE	1	-	-	1
1		SPEAKER FRAME, MOUNTABLE	-	1	1	-
2		MAGNET	1	1	1	1
3		MEMBRANE	1	1	1	1
4		TWEETER	1	1	-	-

**PROPRIETARY AND CONFIDENTIAL**  
 THE INFORMATION CONTAINED IN THIS DRAWING IS THE SOLE PROPERTY OF SAMPLE COMPANY.  
 ANY REPRODUCTION IN PART OR AS A WHOLE WITHOUT WRITTEN PERMISSION IS PROHIBITED.

TITLE: **DUAL SPEAKER, MOUNTABLE**

PART NUMBER: **123456785**

REVISION: **A** SHEET: **SHEET 1 OF 2**

UNITS: **INCHES** SCALE: **1:1** SIZE: **B** FILE NAME: **SPEAKER**



8 7 6 5 4 3 2 1

8 7 6 5 4 3 2 1

D

D

C

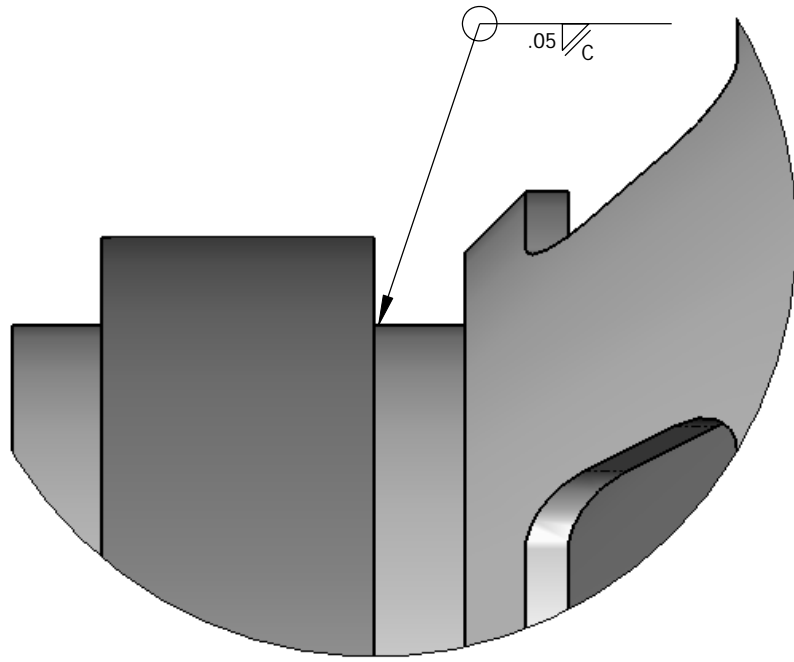
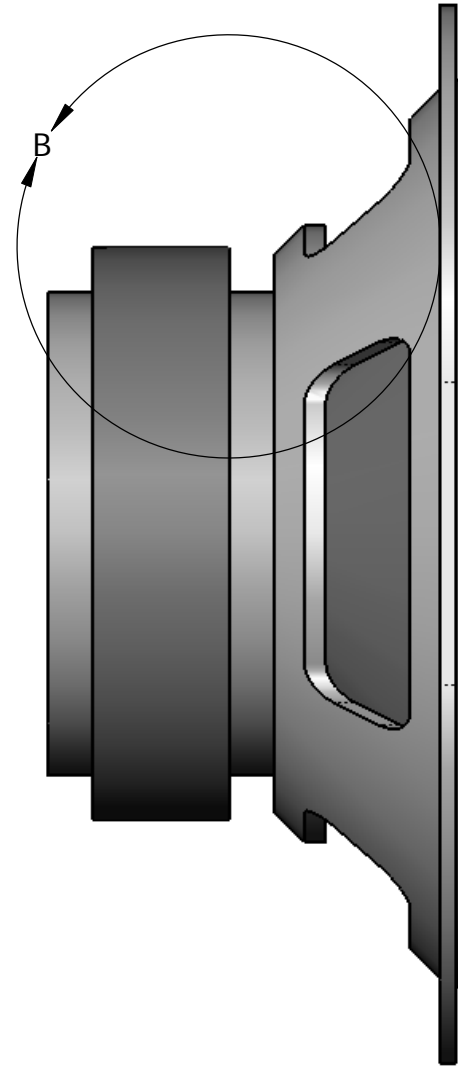
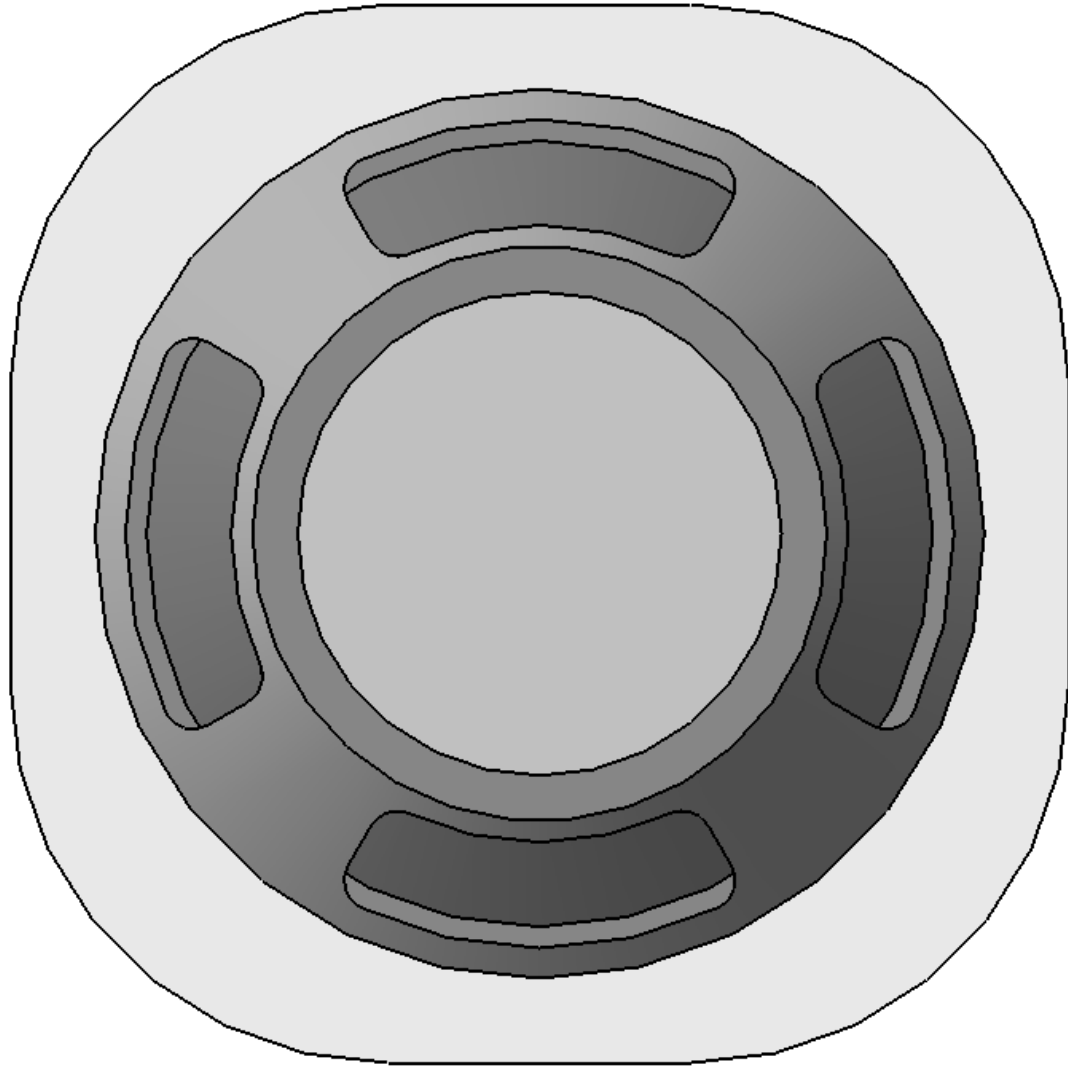
C

B

B

A

A



DETAIL B  
SCALE 4 : 1

PROPRIETARY AND CONFIDENTIAL

THE INFORMATION CONTAINED IN THIS DRAWING IS THE SOLE PROPERTY OF SAMPLE COMPANY.  
ANY REPRODUCTION IN PART OR AS A WHOLE WITHOUT WRITTEN PERMISSION IS PROHIBITED.

TITLE:  
SINGLE SPEAKER, GLUEABLE

PART NUMBER:  
123456789

REVISION: A SHEET: SHEET 2 OF 2

UNITS: INCHES

SCALE: 2:1

SIZE: B

FILE NAME: SPEAKER



8 7 6 5 4 3 2 1